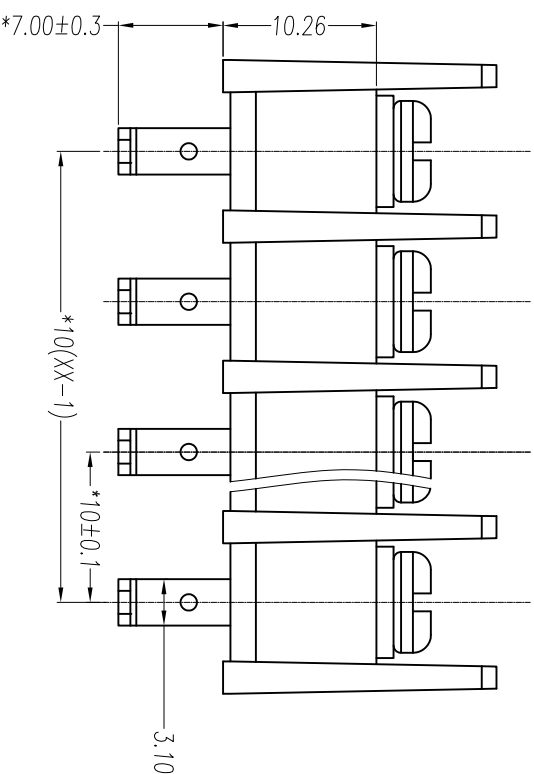
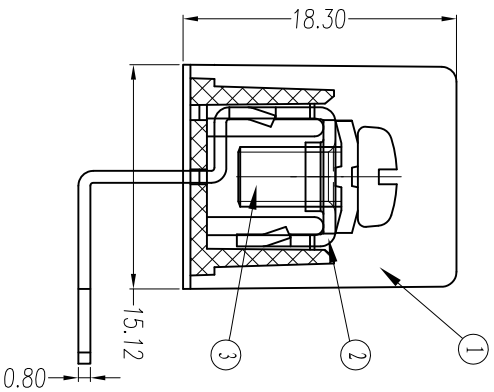
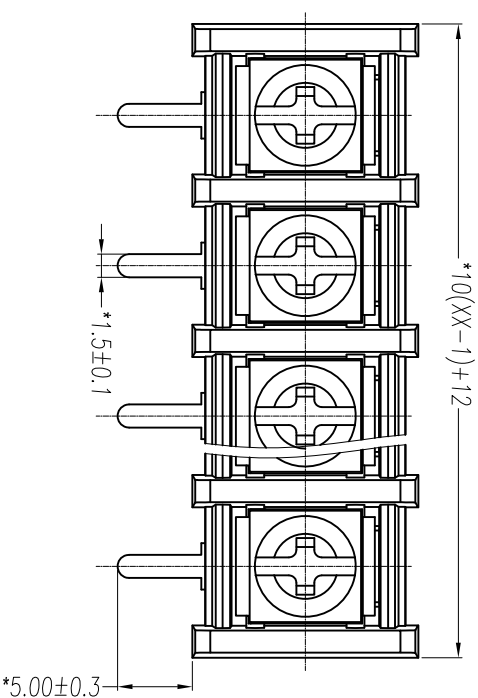
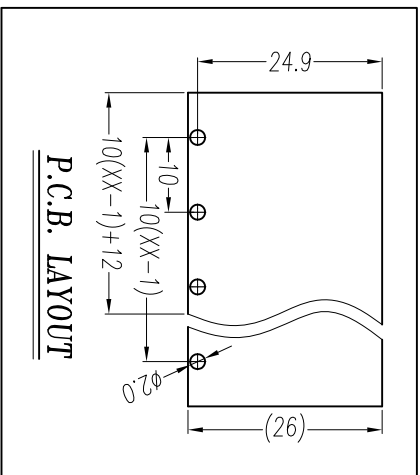




慈溪市万捷电子有限公司 CIXI WANJIE ELECTRONIC CO., LTD

产品规格书
THE SPEC SHEET



电气性能/Electrical	
参考标准/Standard	UL IEC
额定电压/Rated voltage	300V 750V
额定电流/Rated current	20A 24A
接触电阻/Contact resistance	20mΩ
绝缘电阻/Insulation resistance	500MΩ/DC500V
使用线径/Wire range	22~12AWG 2.5mm ²
耐电压/Wrth standing voltage	AC 2000V/1 Min
机械性能/Mechanical	
扭矩/Torque	1.2Nm(10.6lbin)
温度范围/Temp.Range	-40°C~+105°C
瞬时温度/MAX Soldering	+250°C, for 5 Sec
尺寸/Dimensions	
间距/Pitch	10mm
极数/Poles	2-24p
材料及电镀/Material	
塑料/Housing	PA66, UL94V-0
螺丝/Screws	M4.0 Steel Ni plated
焊脚/Pin header	Brass 0.8t Tin plated

tolerance	linear dimension	Standard GB/T 14486-2008												≡	—	□	//	⊥
	variable range	over 6 to	over 10 to	over 18 to	over 30 to	over 50 to	over 80 to	over 120 to	over 160 to	over 200 to	over 250 to	all to	over 5 to					
		±0.1	±0.14	±0.19	±0.25	±0.32	±0.43	±0.57	±0.72	±0.88	±1.05	±1.25	0.5	0.025	0.06	0.12	0.4	

单位/UNITS	mm	尺寸/SIZE	A4	比例/SCALE	2:1
慈溪市万捷电子有限公司 CIXI WANJIE ELECTRONIC CO., LTD					

名称/TITLE	第三视角/THIRD ANGLE PROJECTION
WJ55R-XXP-1YY-00A	